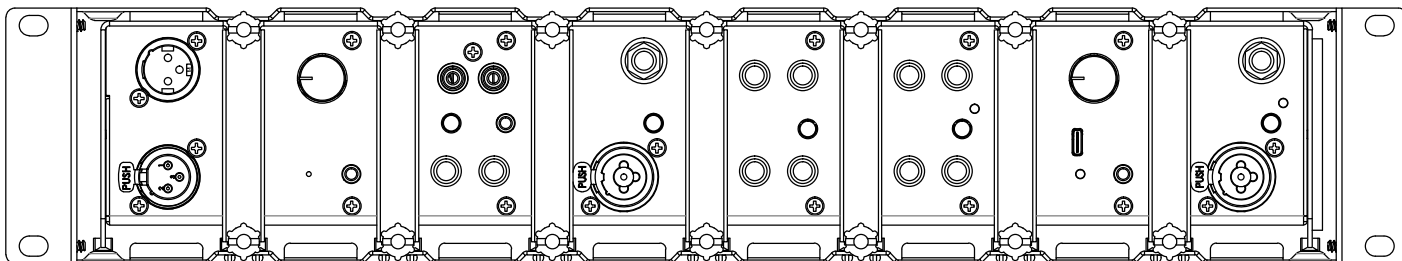
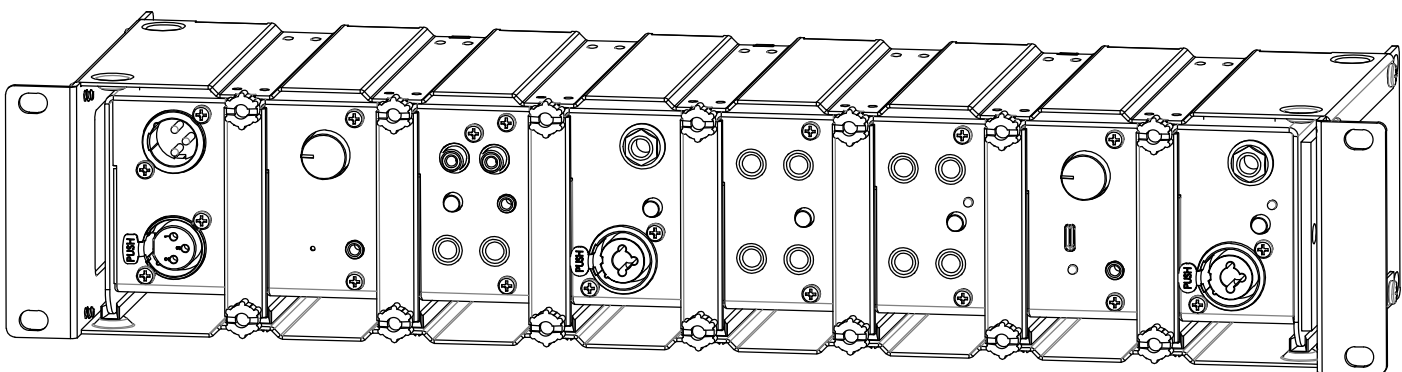
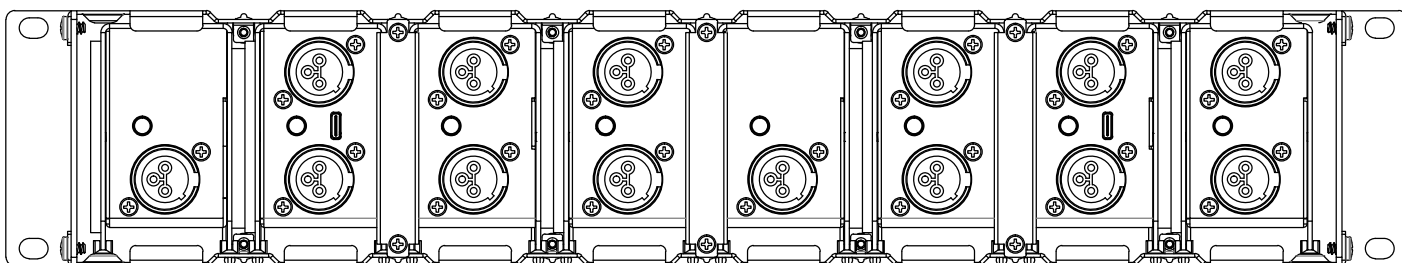


Item	Component	Description	Qty
1	Top cover	Attached 2pc of EVA on the inside	1
2	Base plate		1
3	Left side panel	The center is completely hollowed out	1
4	Right side panel		1
5	Slide guide		16
6	Fixed plate	Attached 1pc of EVA on the inside	10
7	BMS 3x6 Screw		6
8	BTS 4x6 Screw		8
9	SRGPR3-5.5-B Thumb screw		14

## FRONT



## REAR



## SPECIFICATIONS

Weight	1.82kg
Shipping weight	1.92kg
Weight of master carton	incl. 10pc/19.60kg
Dimension of master carton	468 x 283 x 218 mm